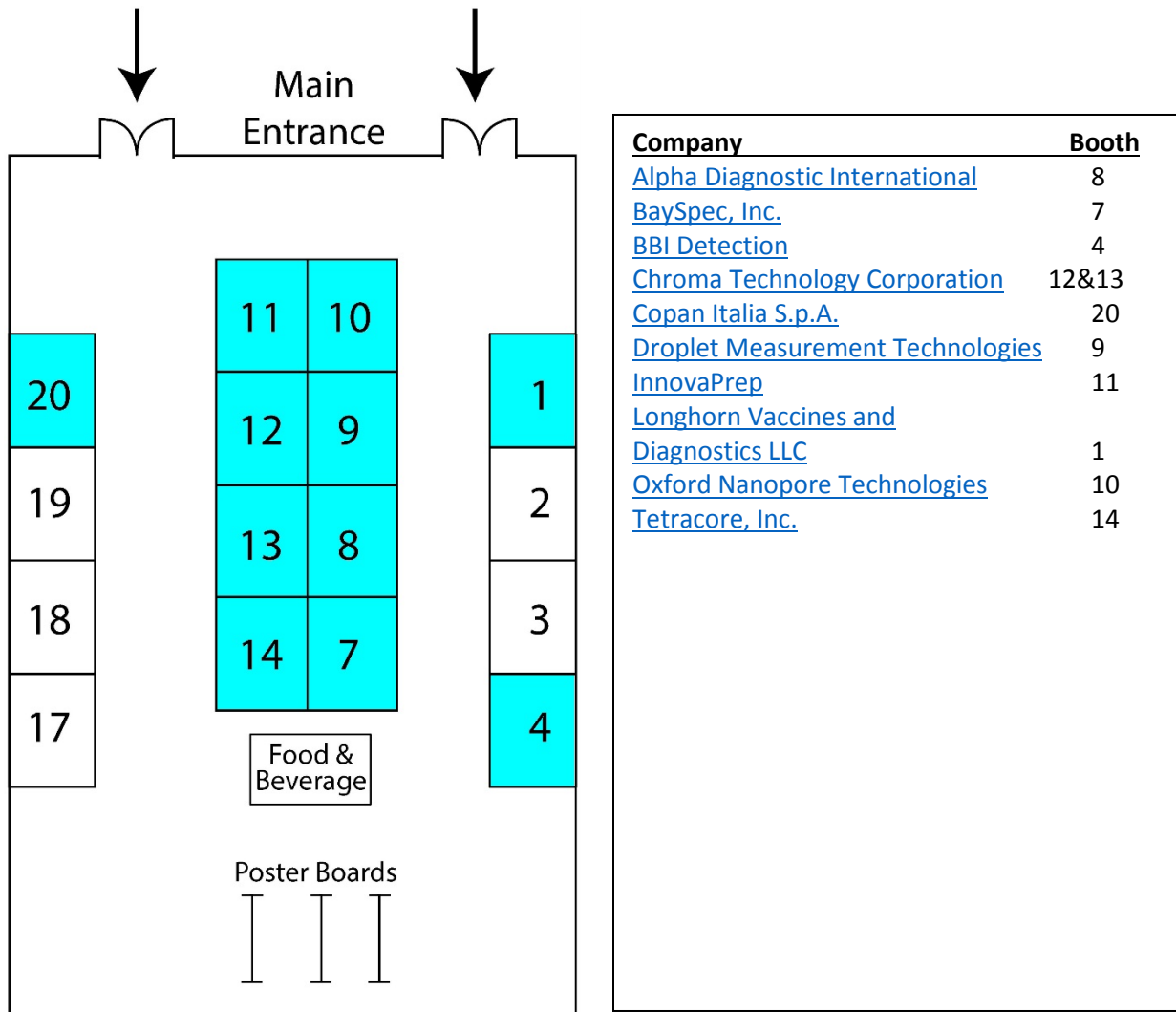


Biodefense World Summit
Conference Dates: June 26 – 29, 2017
Exhibit Dates: June 26 – 28, 2017
Westin Alexandria ~ Alexandria, VA
(20) 8'x10' Exhibit Booths



*Floor plan subject to change.

 SOLD
 HOLD